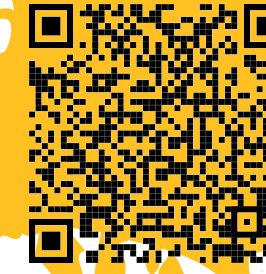
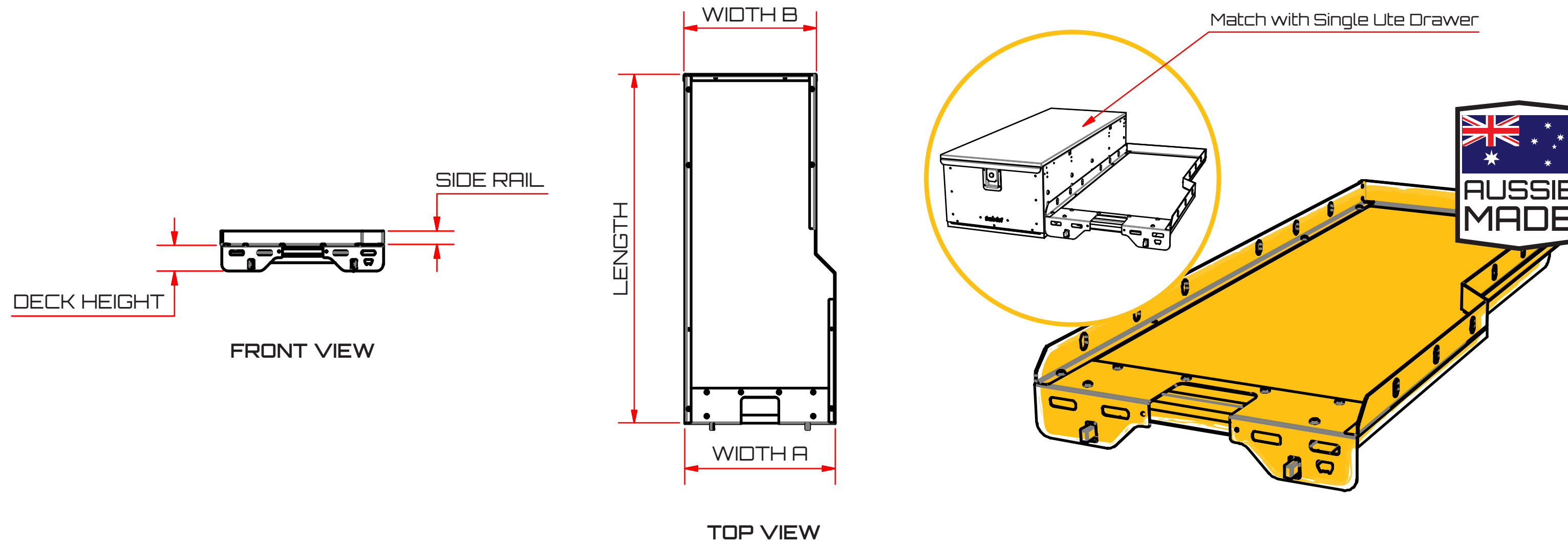


# Half Tray Slide By Trek4x4



Have everything at easy reach with Trek4x4 Half Tray Slide



## FEATURES

- Can be matched with Single Ute Drawer
- Ideal for use as a Fridge Slide
- Extends out 800mm from closed position
- Max 125kg load capacity (evenly distributed load)
- Easy fitting and removal.
- 2 locking positions.
- Loading and Unloading from your Ute tray is a Breeze
- Steel Side rails with Tie down holes
- Synthetic grey carpet deck
- Powder Coated Satin Black Finish

## DIMENSIONS

TRAY SLIDE DIMENSIONS				
LENGTH	WIDTH A	WIDTH B	DECK HEIGHT	SIDE RAIL
1380 mm	595 mm	520 mm	95 mm	50 mm

Please review and compare the size if Trek4x4 Tray Slide is fitted over the top of a plastic ute tub liner