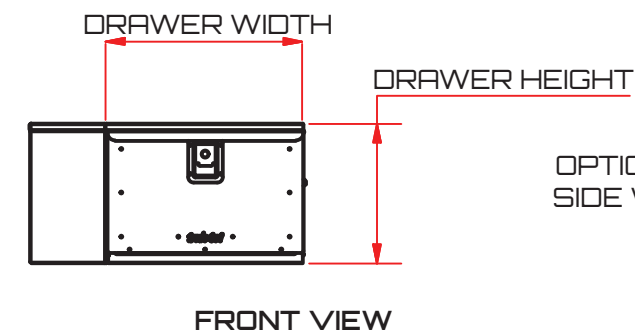


# Single Drawer

By Trek4x4

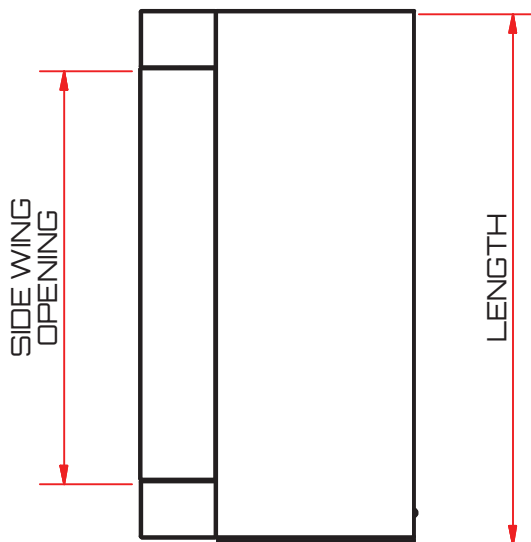
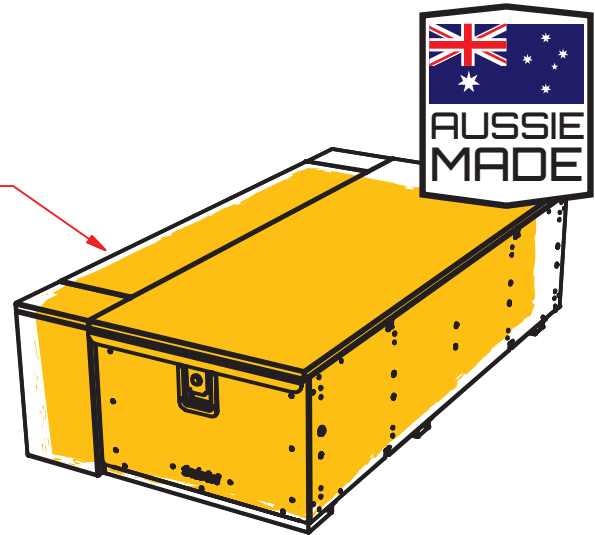


Have everything at easy reach with Trek4x4 Single Drawer



FRONT VIEW

OPTIONAL  
SIDE WING



TOP VIEW

## FEATURES

- Drawer extends out 1 metre from closed position
- The drawer has a generous 190 Litres volume
- Max 200kg load capacity (evenly distributed load)
- Easy fitting and removal.
- Loading and unloading from your Dual Drawer system is a breeze
- Key locking drawer catch
- Synthetic grey carpet deck
- Optional side wings

## DIMENSIONS

LENGTH	DRAWER WIDTH	DRAWER HEIGHT
1400 mm	520 mm	370 mm

Please review and compare the size if Trek4x4 Tray Slide is fitted over the top of a plastic ute tub liner